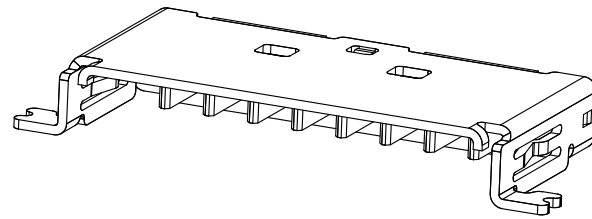
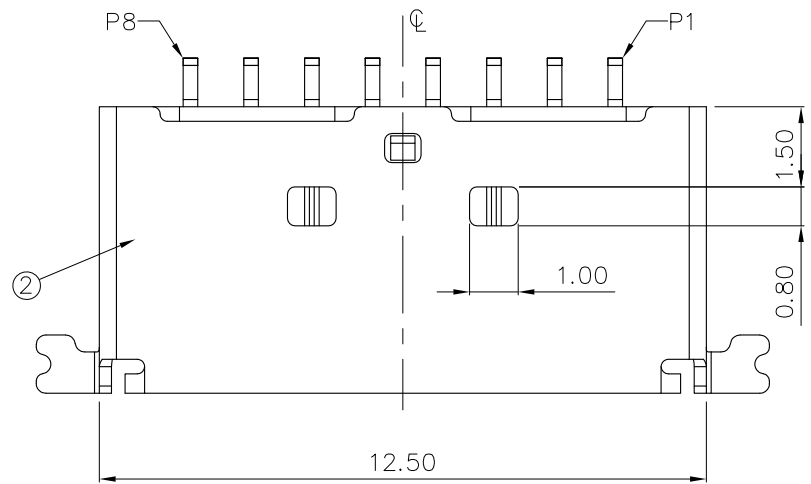


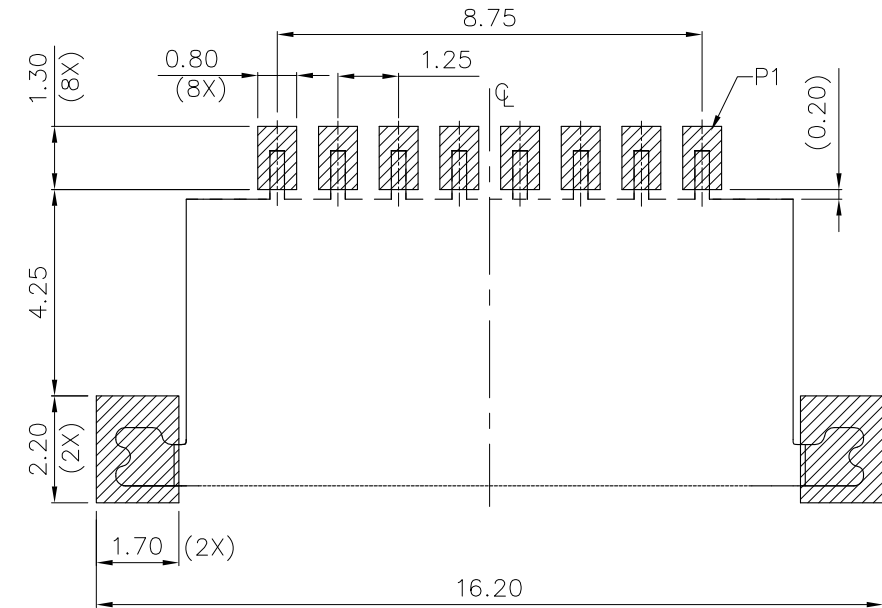
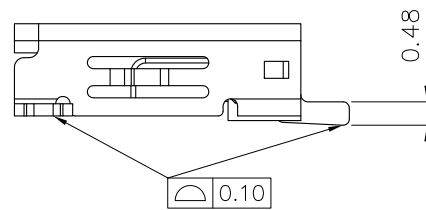
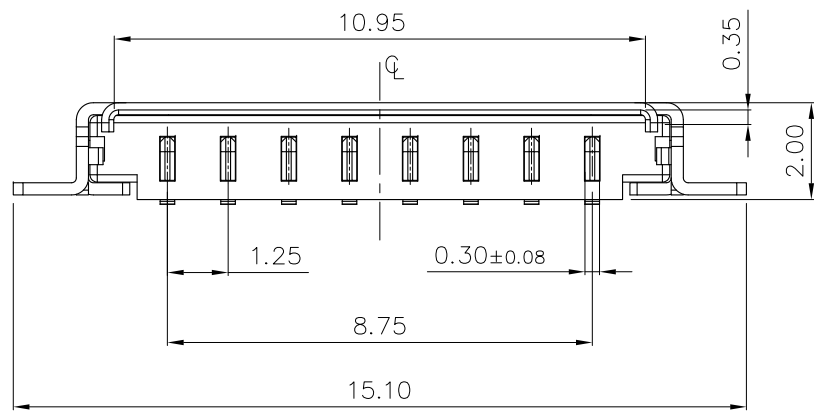
AUTO CAD GENERATED DRAWING, DON'T CHANGE BY HAND.

| | | |
|------|--------------|----------|
| REV. | ECN. NO. | APPD. |
| A | ECN150720017 | Fan.Fang |
| B | ECN150811013 | Fan.Fang |
| C | ECN160723006 | Fan.Fang |

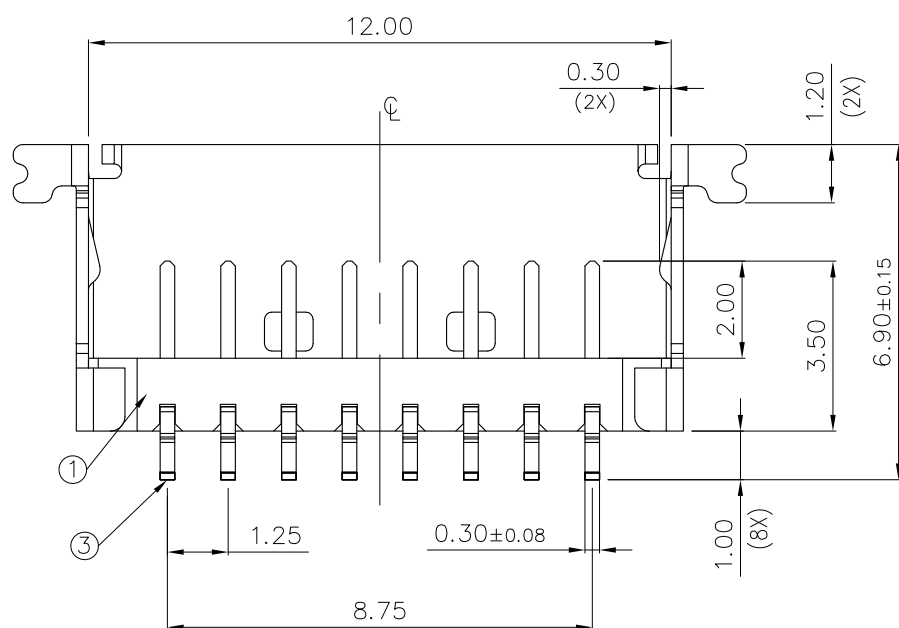


NOTES:

- DIMENSIONS SHALL BE INTERPRETED PER ASME Y14.5M-1994.
- ELECTRICAL CHARACTERISTICS:
 - CONTACT CURRENT RATING: 4.0 AMPERE MAX.PER PIN.
 - LOW LEVEL CONTACT RESISTANCE: 20 MILLIOHMS MAX.
 - INSULATION RESISTANCE: 100M MIN. AT 250VDC.
 - DIELECTRIC WITHSTANDING VOLTAGE: 100V RMS AT 60Hz FOR 1 MINUTE.
- MECHANICAL CHARACTERISTICS:
 - INSERTION FORCE: 30N MAX.
 - UNMATING FORCE: 3N MIN.
 - DURABILITY: 30 MATING CYCLES.
- OPERATING TEMPERATURE : -40°C TO 85°C.
- HARMFUL MATERIAL CONTROL MEET DSQC0042.



RECOMMENDED PCB LAYOUT
TOLERANCE ±0.05



PART NO.
WS33081-S2201-HF

WTB CONN. PITCH=1.25mm

POS. NO. 08=8POS.

HALOGEN/LEAD FREE

PACKAGE CODE: 1: TAPE REEL

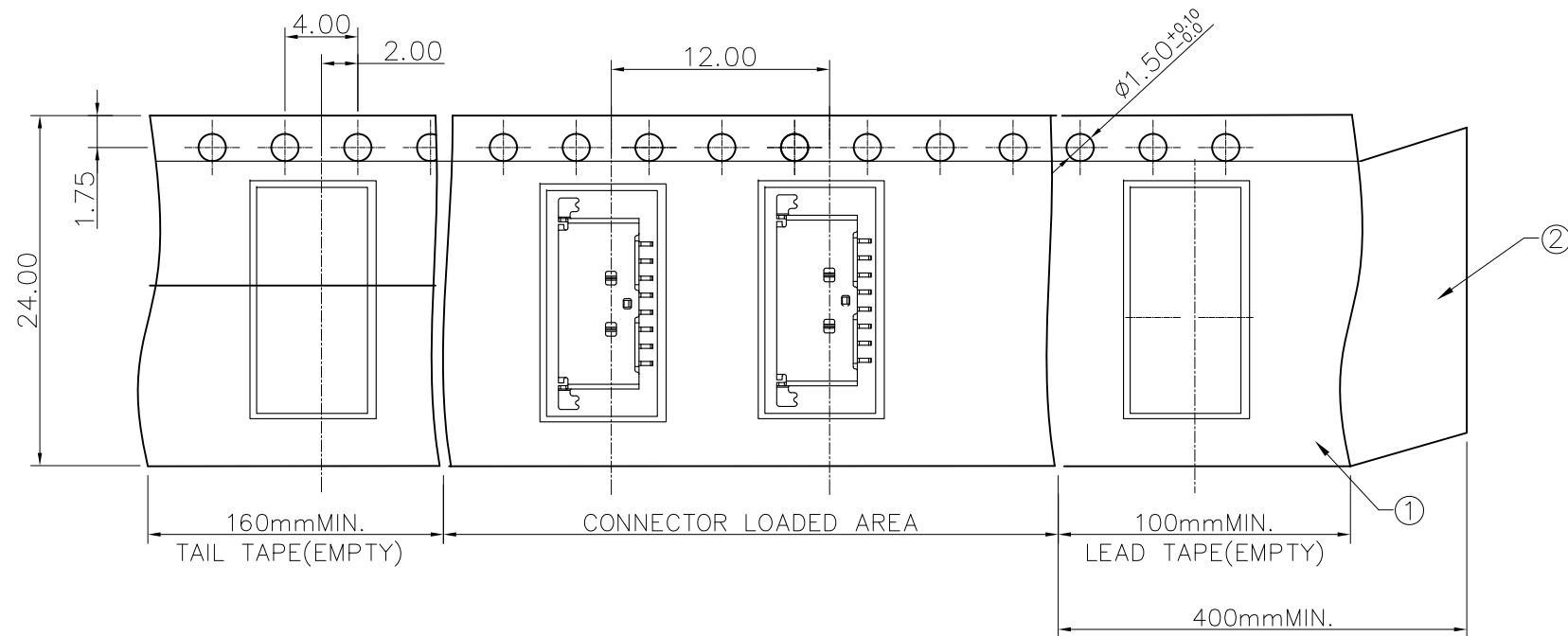
PROFILE HEIGHT 20: 2.00mm

CONTACT AREA PLATING: 1: GOLD PLATING



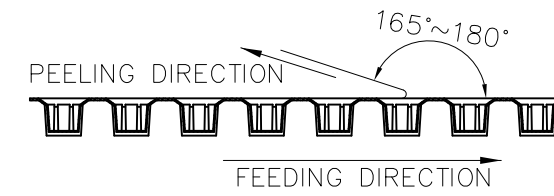
| ③ | CONTACT | 8 | COPPER ALLOY | 50u" Min. NICKEL UNDER PLATING OVER ALL; 1u" Min. GOLD PLATING ON CONTACT AREA; 80u" Min. MATTE TIN PLATING ON SOLDER AREA. |
|-------------------|--|--|--|---|
| ② | SHELL | 1 | COPPER ALLOY | 50u" MIN NICKEL UNDER PLATING OVER ALL |
| ① | HOUSING | 1 | HIGHTEMP-PLASTIC | UL94V-0,BLACK |
| ITEM NO. | NAME | Q'TY | MATERAIL | FINISH |
| UNITS: mm | GENERAL TOLERANCE | | APPROVED: Fan Fang | PART NO.(INTENDED USE) WS33081-S2201-HF |
| DATE: 07/23'16 | X. :±0.30 .X :±0.20 .XX :±0.15 .XXX | X.* :±2° .X* :±1° .XX* :±1° .XXX* | CHECKED: Daniel Yuan | TITLE: CUSTOMER DRAWING |
| SCALE: N/A | | | DRAWING: Adam Zhu | DRAWING NO.: 820-0000-0244 |
| SHEET: 1/2 | MATERIAL: SEE TABLE | Q'TY N/A | Drapho ELECTRONICS TECHNOLOGY CO., LTD | |
| REV.: C | FINISH: SEE TABLE | | | |

| | | |
|------|----------|-------|
| REV. | ECN. NO. | APPD. |
| | | |



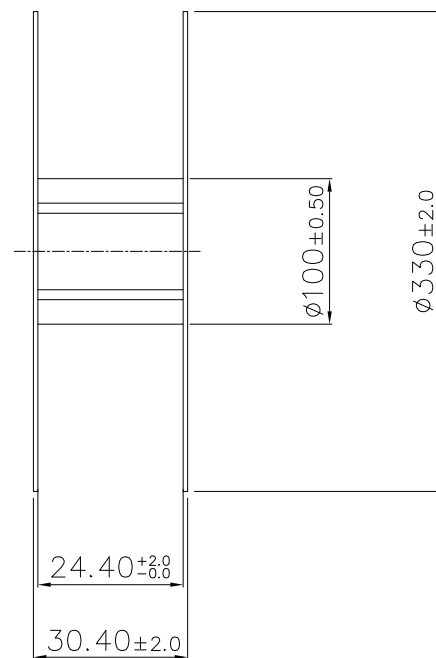
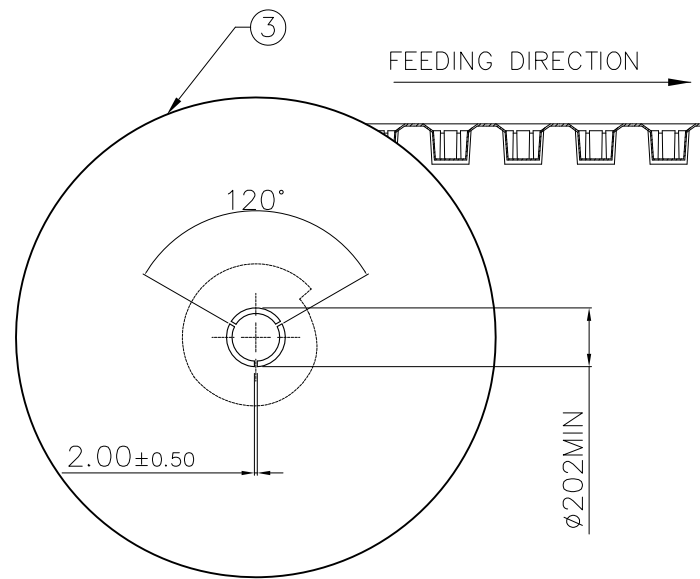
NOTES:

- 1.10 PITCHES CUMULATIVES TOLERANCE ON TAPE IS $\pm 0.20\text{mm}$;
2. COVER TAPE PEELING STRENGTH : 0.13Kgf MAX. AT 300mm/MINUTE;




3. PACKAGING CAPACITY:

| P/N | PCS/REEL | REEL/BOX | PCS/BOX |
|------------------|----------|----------|---------|
| WS33081-S2201-HF | 1350 | 6 | 8100 |



| ITEM | DESCRIPTION | MATERIAL |
|------|--------------|-------------|
| ③ | REEL | POLYSTYRENE |
| ② | COVER TAPE | POLYSTER |
| ① | CARRIER TAPE | POLYSTYRENE |

RoHS **HF**

| | | | | |
|-------------------|---|--|--|--|
| UNITS: mm | GENERAL TOLERANCE | | APPROVED: Fan Fang | PART NO.(INTENDED USE) WS33081-S2201-HF |
| DATE: 07/23'16 | X. : ±0.50 .X : ±0.30 .XX : ±0.15 | X.° : ±2° .X° : ±1° .XX° : ±0.15° .XXX° | CHECKED: Daniel Yuan | TITLE: CUSTOMER DRAWING |
| SCALE: N/A | MATERIAL: N/A | Q'TY N/A | DRAWING: Adam Zhu | DRAWING NO.: 820-0000-0244 |
| SHEET: 2/2 | FINISH: N/A | ④ |  Highstar Drapho ELECTRONICS TECHNOLOGY CO., LTD | |
| REV.: C | | | | |