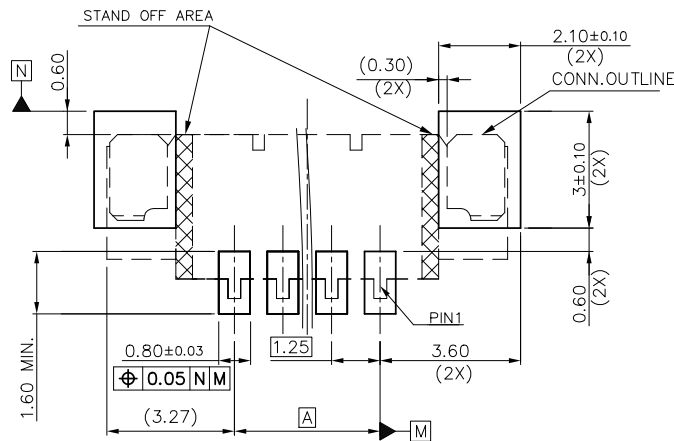
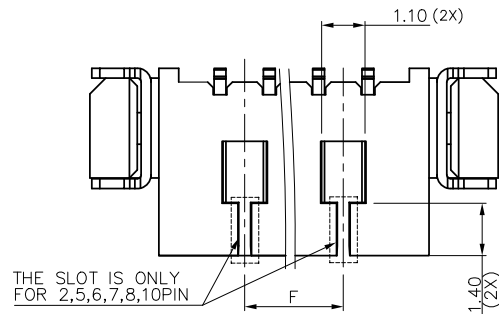


RoHS

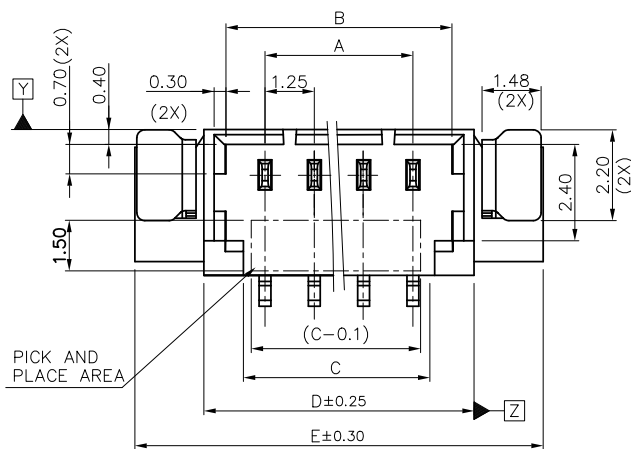
HF

REV.	ECN. NO.	APPD.
A	ECN1111300010	Tommy Zhang
B	ECN1201300010	Tommy Zhang
C	ECN1211190006	Tommy Zhang
D	ECN1212240001	Tommy Zhang
E	ECN130926005	Fan Fang
F	ECN150716002	Fan Fang
G	ECN160926010	Fan Fang
H	ECN161214015	Fan Fang
J	ECN190219002	River Yao

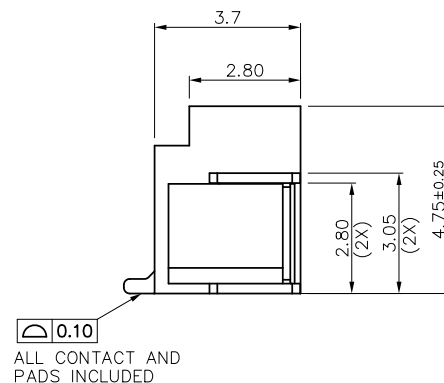
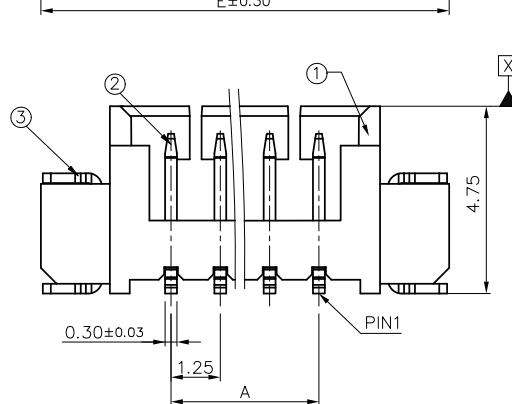
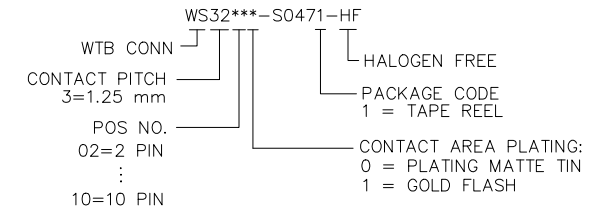


RECOMMENDED PCB LAYOUT
TOLERANCE: ±0.05

- NOTES:
 1.MATERIAL: SEE TABLE.
 2.ELECTRICAL PERFORMANCES:
 2-1.CONTACT RESISTANCE: 20mΩ MAX.(INITIAL)
 2-2.INSULATION RESISTANCE: 100MΩ MIN.
 2-3.DIELECTRIC WITHSTANDING VOLTAGE:
 250V AC FOR 1MINUTE BETWEEN ADJACENT CONTACTS PER
 3.MECHANICAL PERFORMANCES:
 3-1.DURABILITY: 25 CYCLES.
 4.HARMFUL MATERIAL CONTROL SHOULD MEET DOCUMENT "DQSP2014".

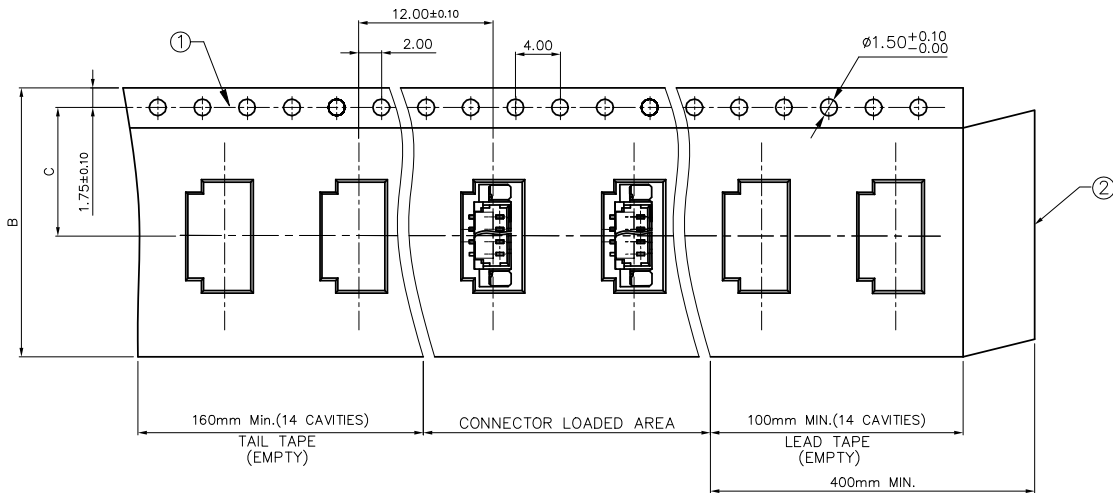


PART NUMBER	PIN NO.	A	B	C	D	E	F
WS3202*-S0471-HF	2	1.25	3.23	2.35	4.35	7.85	
WS3204*-S0471-HF	4	3.75	5.55	4.85	6.75	10.29	2.50
WS3205*-S0471-HF	5	5.00	6.98	6.10	8.10	11.60	3.75
WS3206*-S0471-HF	6	6.25	8.23	7.35	9.35	12.85	5.00
WS3207*-S0471-HF	7	7.50	9.48	8.60	10.60	14.10	6.25
WS3208*-S0471-HF	8	8.75	10.73	9.85	11.85	15.35	7.50
WS3210*-S0471-HF	10	11.25	13.23	12.35	14.35	17.85	10.00

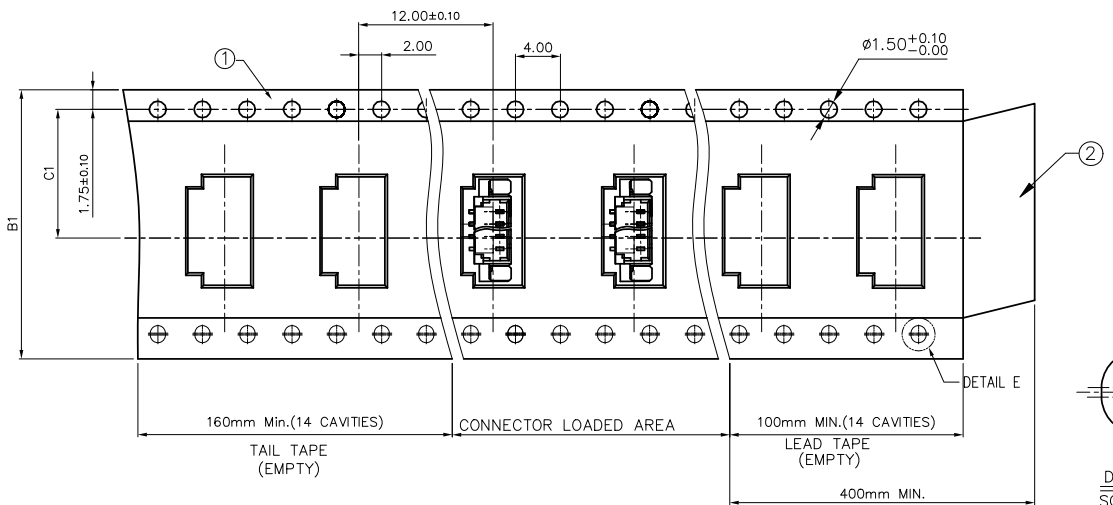


③	2	PEGS	COPPER ALLOY	80u" MIN MATTETIN PLATING ON ALL AREA, 50u" MIN NICKEL UNDERPLATED ALL OVER
②	**	CONTACT	COPPER ALLOY	1u" MIN GOLD PLATING ON ALL AREA, 50u" MIN NICKEL UNDERPLATED ALL OVER FOR WS32***1-S0471-HF 80u" MIN MATTETIN PLATING ON ALL AREA, 50u" MIN NICKEL UNDERPLATED ALL OVER FOR WS32*0-S0471-HF
①	1	HOUSING	TEMLASTIC	LCP UL94V-0,NATURE
ITEM NO.	Q'TY	NAME	MATERIAL	FINISH
UNITS: mm	GENERAL TOLERANCE		APPROVED: River Yao	PART NO.: WS32***-S0471-HF
DATE: 02/19/19	X. ±0.30 .X ±0.20	X.* ±5° .X* ±3°	CHECKED: Wes.Wu	TITLE:CUSTOMER DRAWING FOR SMT VERTICALI WTB CONN.
SCALE: N/A	.XX±0.15	.XX*±2°	DRAWING: Ruiju You	DRAWING NO.: 820-0000-016
SHEET: 1/2	MATERIAL: SEE TABLE	Q'TY N/A	 Drapho ELECTRONICS TECHNOLOGY CO., LTD	
REV. J	FINISH: N/A			

RoHS HF



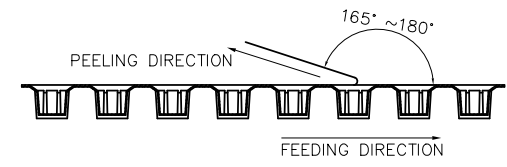
FOR OTHER POS.



FOR 10 POS.

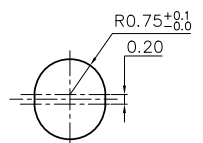
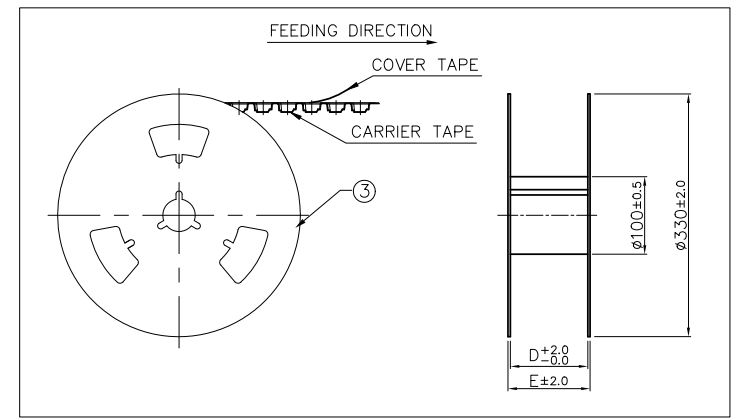
NOTES:

- 10 PITCHES CUMULATIVE TOLERANCE ON TAPE ± 0.20 mm.
- COVER TAPE PEELING STRENGTH: 0.13kgf MAX AT 300mm/MINUTE.



3. PACKING CAPACITY:

P/N	B	C	B1	C1	D	E	PCS/REEL	REEL/BOX	PCS/BOX
WS3202*-S0471-HF	16.00	7.50	/	/	16.4	22.4	1000	9	9000
WS3204*-S0471-HF	24.00	11.50	/	/	24.4	30.4	1000	7	7000
WS3205*-S0471-HF	24.00	11.50	/	/	24.4	30.4	1000	7	7000
WS3206*-S0471-HF	24.00	11.50	/	/	24.4	30.4	1000	7	7000
WS3207*-S0471-HF	24.00	11.50	/	/	24.4	30.4	1000	7	7000
WS3208*-S0471-HF	24.00	11.50	/	/	24.4	30.4	1000	7	7000
WS3210*-S0471-HF	/	/	32.0	14.2	32.4	38.4	1000	5	5000



DETAIL E
SCALE 5:1

③	REEL	POLYSTPENE
②	COVER TAPE	POLYSTER
①	CARRIER TAPE	POLYSTYRENE
ITEM	DESCRIP TION	MATERIAL

UNITS: mm	GENERAL TOLERANCE		APPROVE: River Yao	PART NO.(INTENDED USE) WS32***-S0471-HF
DATE: 02/19'19	X. ± 0.30 .X ± 0.20	X.* ± 5.00 .X.* ± 3.00	CHECKED: Wes.Wu	TITLE:CUSTOMER DRAWING FOR 1.25P 4.75mmH SMT V/T WTB CONN.
SCALE: N/A	.XX ± 0.15	.XX.* ± 2.00	DRAW: Ruiju You	DRAWING NO.: 820-0000-016
SHEET: 2/2	MATERIAL: N/A	Q'TY N/A	Highstar Drapho ELECTRONICS TECHNOLOGY CO., LTD	
REV.: J	FINISH: N/A			