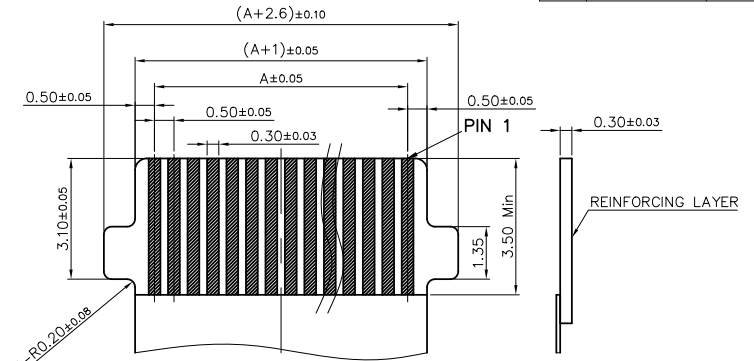
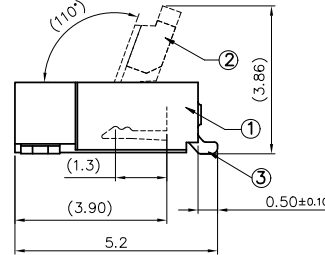
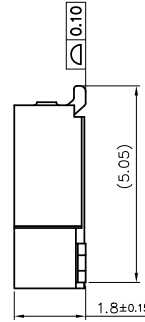
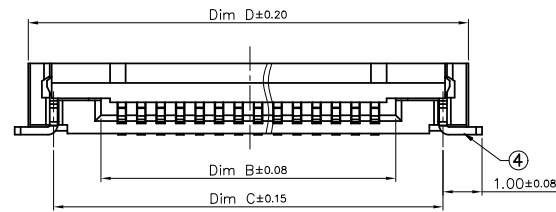
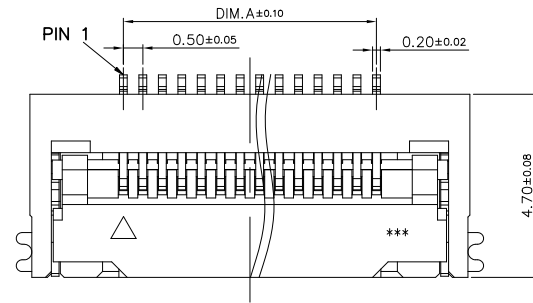
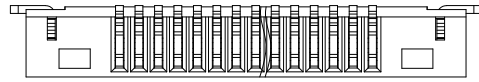
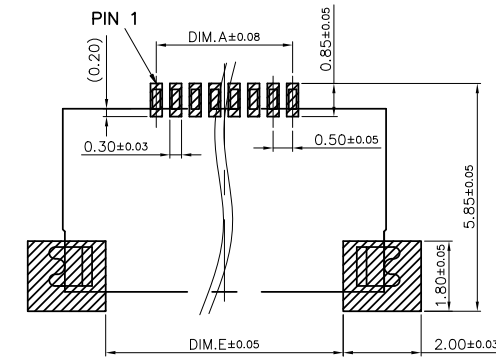


AUTOCAD GENERATED DRAWING, DON'T CHANGE BY HAND

REV.	ECN NO.	APPD.
A	ECN141011001	Fan.Fang
B	ECN141113003	Fan.Fang
C	ECN181213005	River Yao
D	ECN191227006	Mike Wu



RECOMMENDED FFC/FPC DIMENSION
TOLERANCE±0.05mm



RECOMMENDED PCB LAYOUT
TOLERANCE±0.05mm

- NOTES:
 1.DIMENSIONS SHOULD BE INTERPRETED PER ASME Y14.5-1994.
 2.ELECTRICAL CHARACTERISTICS:
 2-1.CONTACT CURRENT RATING:0.5A MAX. PER PIN;
 2-2.INSULATION RESISTANCE: 100 MEGAOHMS MIN. AT 500 VDC;
 2-3.DIELECTRIC WITHSTANDING VOLTAGE:500 VAC RMS AT 60Hz FOR 1 MINUTE;
 2-4.CONTACT RESISTANCE:
 50 MINIOHMS MAX. INITIAL
 100 MINIOHMS MAX. AFTER PHYSICAL AND ENVIRONMENTAL TESTS.
 3.MECHANICAL CHARACTERISTICS:
 3-1.CONTACT RETENTION FORCE:75gf/PIN MIN.;
 3-2.PAD RETENTION FORCE:75gf/PIN MIN.
 4.ENVIRONMENTAL CHARACTERISTICS:
 4-1.OPERATING TEMPERATURE: -40°C TO +85°C.
 5.HARMFUL MATERIAL CONTROL SHOULD MEET DOCUMENT "DQSP2014".

- FC5AF***-3181H
- FPC CONN. PITCH: 5=0.5mm
 - POS. NO. 40=40POS. 44=44POS. 46=46POS. 48=48POS.
 - HALOGEN FREE/LEAD FREE PACKAGE CODE: 1: TAPE REEL PROFILE HEIGHT 18: 1.8mm
 - CONTACT AREA PLATING: 0: MATTE TIN PLATING 1: GOLD FLASH

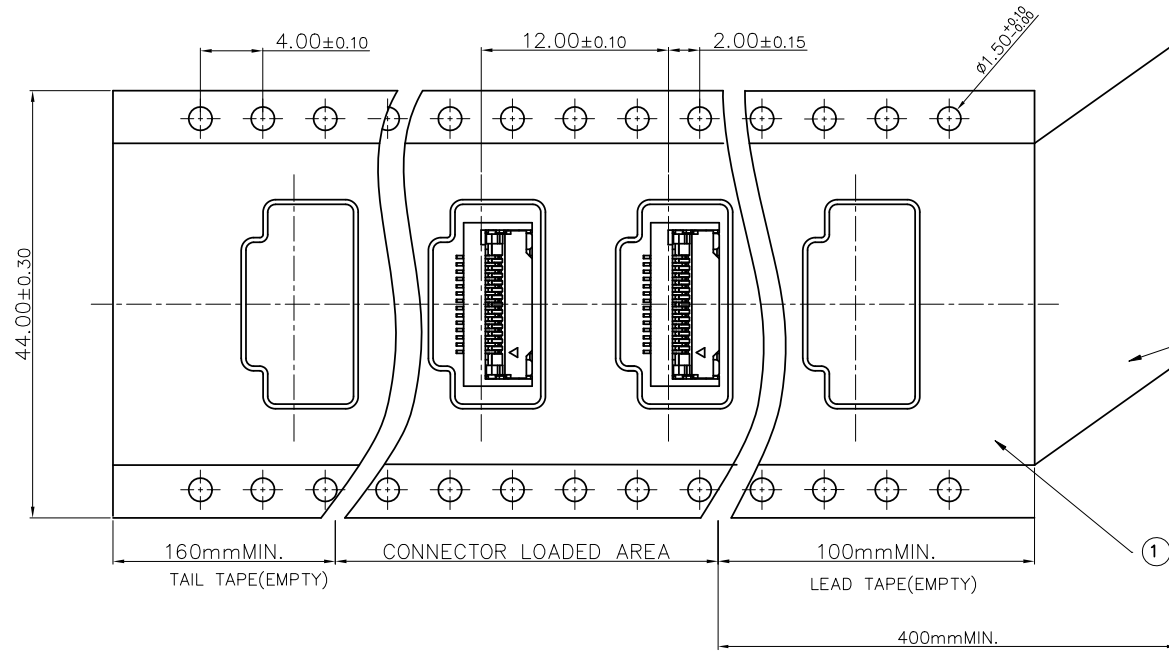
POS NO.	DIMENSIONS				
	A	B	C	D	E
40P	19.5	20.57	23.0	24.3	22.1
44P	21.5	22.57	25.0	26.3	24.1
46P	22.5	23.57	26.0	27.3	25.1
48P	23.5	24.57	27.0	28.3	26.1

Q'TY	DESCRIPTION	MATERAIL	FINISH	ITEM
2	PAD	COPPER ALLOY	50u" MIN. NICKEL UNDER PLATING; 100u" MIN. MATTE TIN PLATING OVERALL;	④
**	CONTACT	COPPER ALLOY	1: 50u"MIN. NICKEL UNDER PLATING; GOLD FLASH ON CONTACT AREA&SOLDER AREA. 0: 50u"MIN. NICKEL UNDER PLATING; MATTE TIN PLATING OVER ALL	FOR: FC5AF**1-3181H FOR: FC5AF**0-3181H
1	ACTUATOR	THERMOPLASTIC	UL94V-0;BLACK	②
1	HOUSING	THERMOPLASTIC	UL94V-0;NATURAL	①
UNITS: mm		APPROVED: Mike Wu		PART NO.: FC5AF***-3181H
GENERAL TOLERANCE		CHECKED: Mike Wu		TITLE: CUSTOMER DRAWING
DATE: 01/09'20		DRAWING: Adam Zhu		DRAWING NO.: 820-0000-0175
SCALE: N/A		SHEET: 1/2		
REV. D		FINISH:		

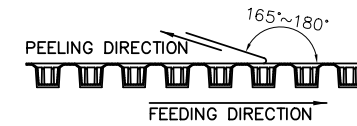
Highstar
Drapho ELECTRONICS TECHNOLOGY CO., LTD

AUTO CAD GENERATED DRAWING, DON'T CHANGE BY HAND.

REV.	ECN. NO.	APPD.

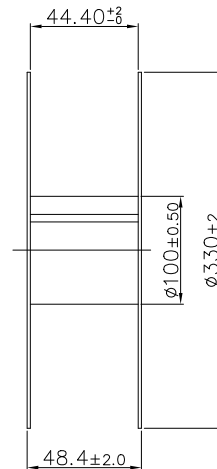
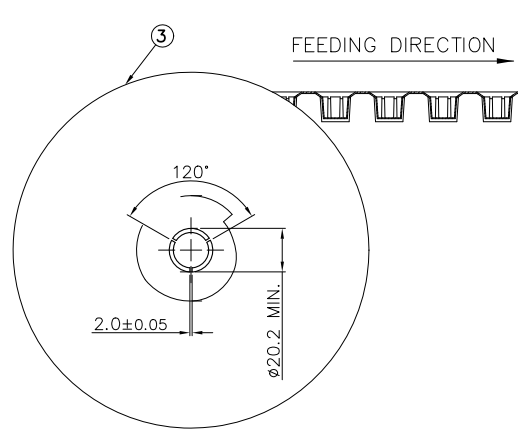


NOTES:
 1.10 PITCHES CUMULATIVES TOLERANCE ON TAPE IS +/-0.20mm;
 2.COVER TAPE PEELING STRENGTH :0.13Kgf MAX. AT 300mm/MINUTE;



3.PACKAGING CAPACITY:

P/N	PCS/REEL	REEL/BOX	PCS/BOX
FC5AF40*-3181H	2000	6	12000
FC5AF44*-3181H	2000	6	12000
FC5AF46*-3181H	2000	6	12000
FC5AF48*-3181H	2000	6	12000



③	REEL	POLYSTYRENE
②	COVER TAPE	POLYSTER
①	CARRIER TAPE	POLYSTYRENE
ITEM	DESCRIPTION	MATERIAL

UNITS: mm	GENERAL TOLERANCE		APPROVED: Mike Wu	PART NO.(INTENDED USE) FC5AF***-3181H
DATE: 01/09'20	X. :±0.50 .X :±0.30 .XX :±0.20 N/A .XXX	X.* :±2' .X* :±1'	CHECKED: Mike Wu	TITLE: CUSTOMER DRAWING
SCALE: N/A	.XX .XXX	.XX* .XXX*	DRAWING: Adam Zhu	DRAWING NO.: 820-0000-0175
SHEET: 2/2	MATERIAL:	Q'TY	Highstar Drapho ELECTRONICS TECHNOLOGY CO., LTD	
REV.: D	FINISH:			