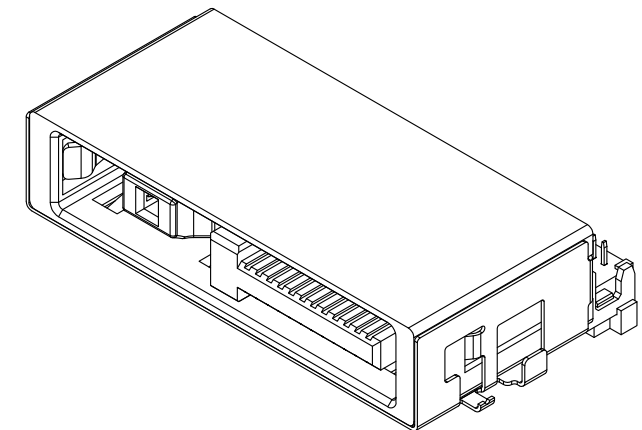
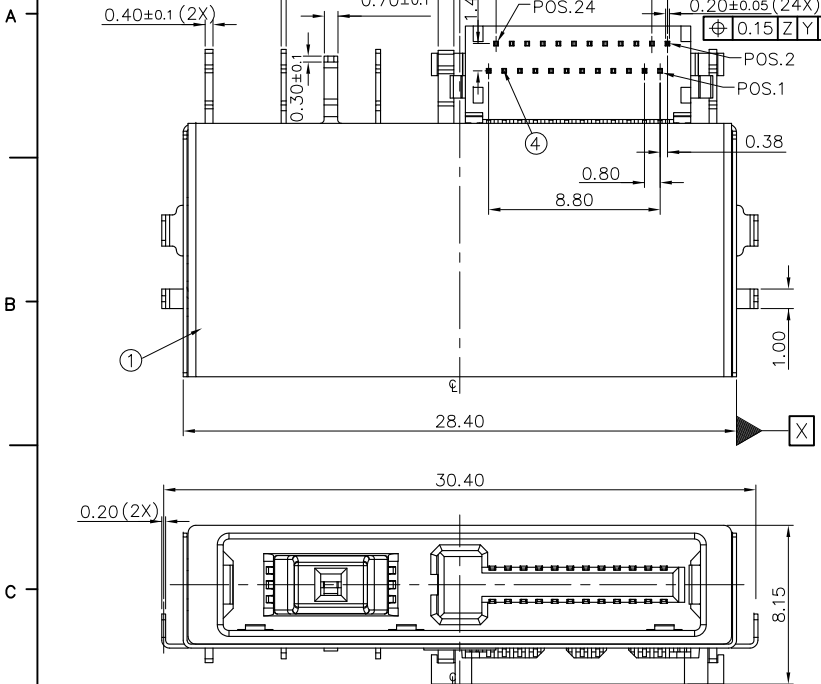


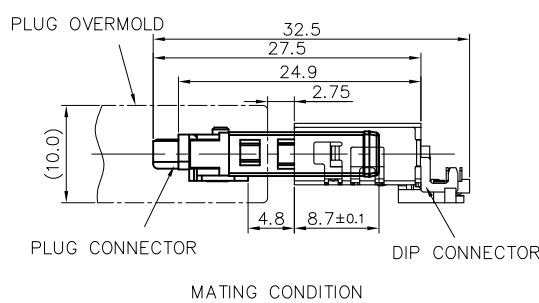
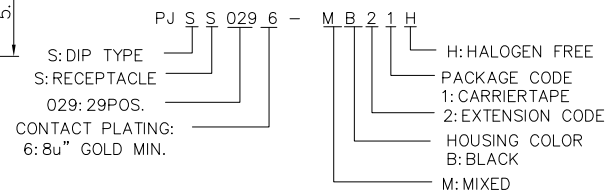
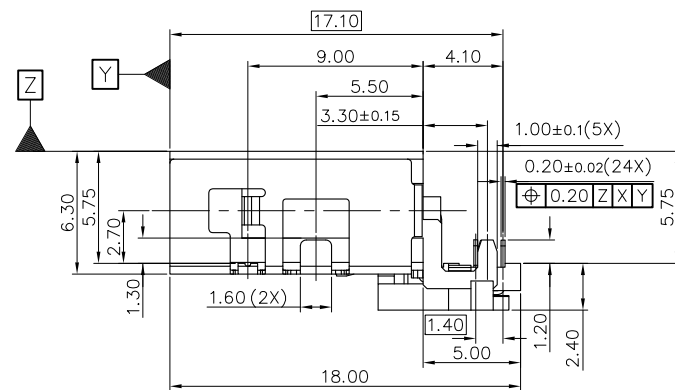
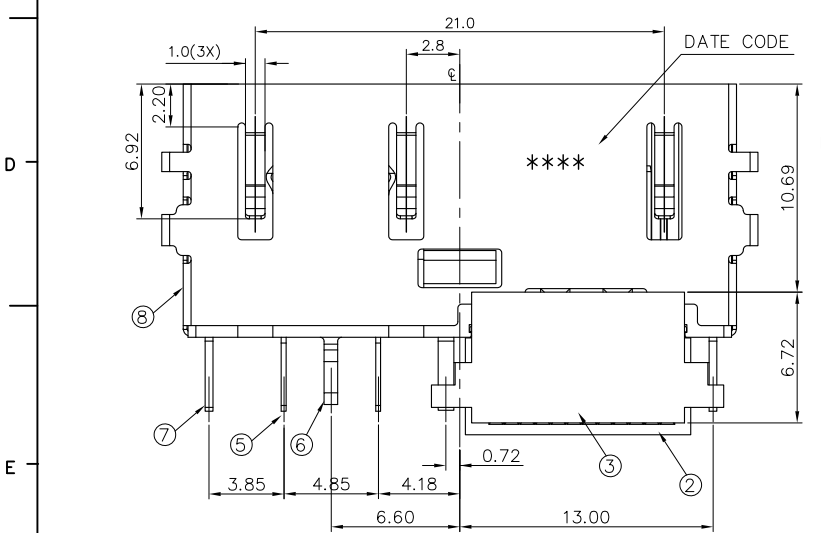
AUTOCAD GENERATED DRAWING, DON'T CHANGE BY HAND



REV.	ECN. NO.	APPD.
A	ECN131021006	Fan Fang
B	ECN140521013	Fan Fang
C	ECN140702007	Fan Fang
D	ECN160308015	Fan Fang



- NOTES:
- MATERIAL: SEE TABLE.
 - ELECTRICAL PERFORMANCES:
 - VOLTAGE RATINGS: 25V DC MAX.
 - CURRENT RATINGS:
 - 7A MAX PER POWER CONTACT
 - 1A MAX PER DETECT AND SIGNAL CONTACT
 - LOW LEVEL CONTACT RESISTANCE:
 - GROUND CONTACT 7 mΩ MAX. INITIAL, 10mΩ MAX, FINAL.
 - DETECT CONTACT 10 mΩ MAX. INITIAL, ΔR=10mΩ MAX, FINAL.
 - POWER CONTACT 7 mΩ MAX. INITIAL, ΔR=10mΩ MAX, FINAL.
 - SIGNAL CONTACT 80mΩ MAX. INITIAL, ΔR=30mΩ MAX, FINAL.
 - INSULATION RESISTANCE: 500 MΩ MIN.
 - DIELECTRIC WITHSTANDING VOLTAGE: SUBJECT A VOLTAGE OF 100V AC rms FOR 1 MINUTE BETWEEN ADJACENT CONTACTS;
 - MECHANICAL PERFORMANCES:
 - MATING FORCE: 3.0Kgf MAX.
 - UNMATING FORCE: 1Kgf MIN FOR DOCKING PLUG, 0.7Kgf MIN FOR DC PLUG
 - DURABILITY: 5000 CYCLES.
 - G.P PASSED ACCORD WITH RoHS STANDARD.
 - SEQUENCE REQUIREMENT: GROUND -> POWER -> SIGNAL



ITEM	NAME	MATERIAL	FINISH	REMARK
⑧	SHELL	STAINLESS STEEL	50u"MIN. SOLDERABLE NICKEL OVER ALL.	
⑦	GROUND CONTACT	COPPER ALLOY	8u"MIN. GOLD PLATING ON CONTACT AREA, 80u"MIN. MATTETIN PLATING ON SOLDER AREA, 50u"MIN. NICKEL UNDERPLATED OVER ALL.	
⑥	DETECT CONTACT			
⑤	POWER CONTACT			
④	SIGNAL CONTACT			
③	CAP			
②	SPACER	HIGHTEMP-PLASTIC	UL94V-0	
①	HOUSING			

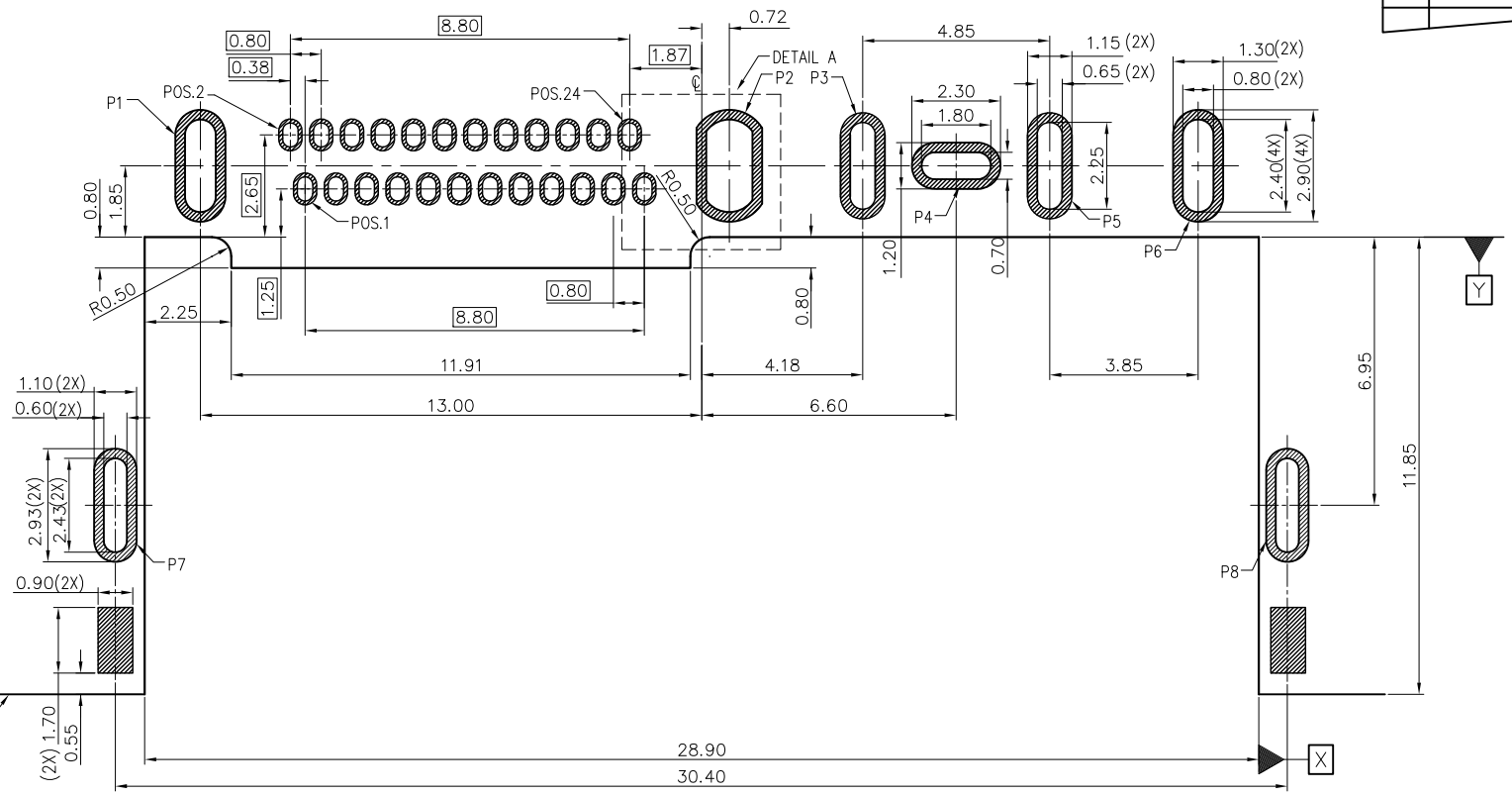
UNITS: mm	GENERAL TOLERANCE		APPROVE: Fan Fang	PART NO.: PJSS0296-MB21H
DATE: 03/09/16	X. ±0.50	X.* ±5°	CHECKED: Darren Lei	TITLE: CUSTOMER DRAWING
SCALE: N/A	.XX ±0.30	.X* ±3°	DRAWING: He Pan	DRAWING NO.: 820-0000-0018
SHEET: 1/3	MATERIAL: N/A	QTY: N/A	Highstar Dapho ELECTRONICS TECHNOLOGY CO., LTD	
REV: D	FINISH: N/A			

AUTOCAD GENERATED DRAWING,DON'T CHANGE BY HAND

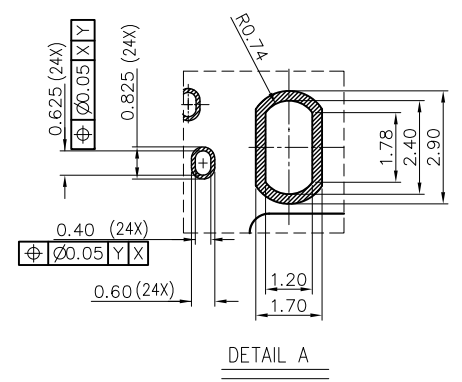


REV.	ECN. NO.	APPD.
------	----------	-------

POS. No.	DEFINITION	POS. No.	DEFINITION
1	GROUND	2	POWER BUTTON
3	ML_Lane0(p)	4	RETURN/DETECT
5	ML_Lane0(n)	6	VBUS(1000mA)
7	GROUND	8	USB2.0(p)
9	ML_Lane1(p)	10	USB2.0(n)
11	ML_Lane1(n)	12	GROUND
13	GROUND	14	USB3.0_Rx(p)
15	AUX_CH(p)	16	USB3.0_Rx(n)
17	AUX_CH(n)	18	GROUND
19	CONFIG1 (no connect)	20	USB3.0_Tx(p)
21	DOCK_CONSUMP	22	USB3.0_Tx(n)
23	HOT PLUG DETECT	24	GROUND



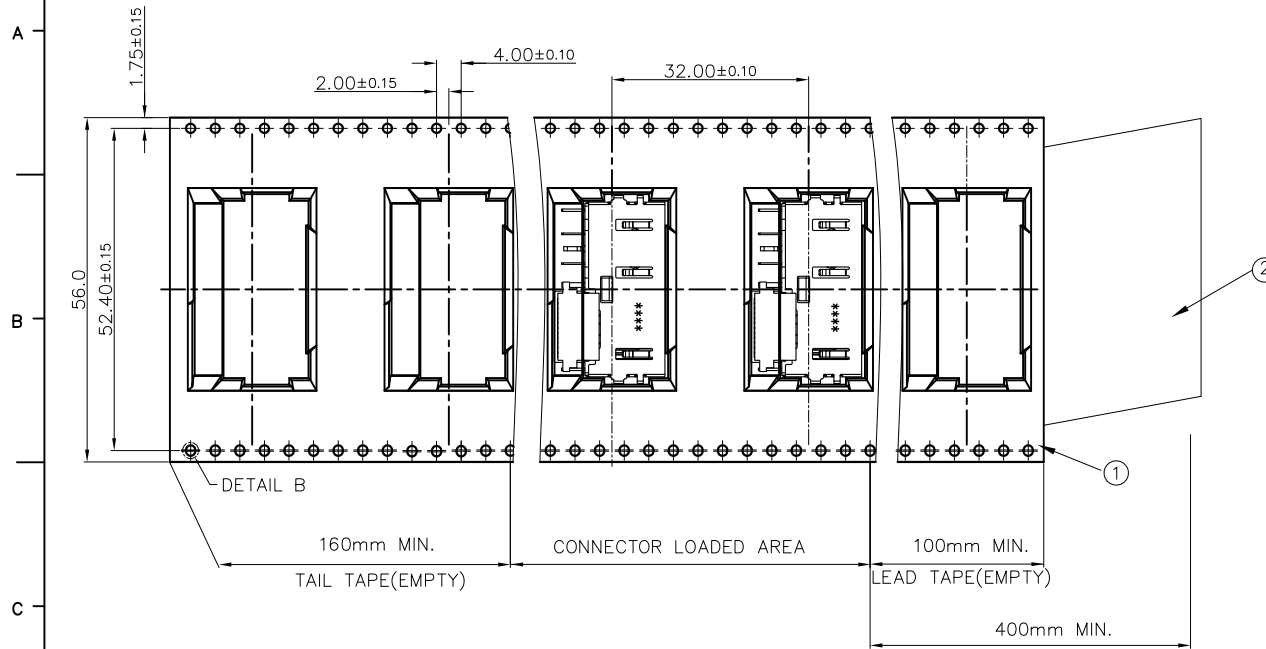
RECOMMENDED PCB LAYOUT
PCB THICKNESS 1.0±0.05mm



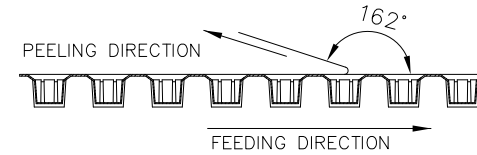
UNITS: mm	GENERAL TOLERANCE	APPROVED: Fan Fang	PART NO.: PJSS0296-MB21H
DATE: 03/09/16	X. ±0.50 X. ±0.30 .XX ±0.20	CHECKED: Darren Lei	TITLE: CUSTOMER DRAWING
SHEET: N/A		DRAWING: He Pan	DRAWING NO.: 820-0000-0018
SHEET: 2/3	MATERIAL: N/A	QTY N/A	Highstar
REV. D	FINISH: N/A	Highstar Logo	Drapho ELECTRONICS TECHNOLOGY CO., LTD



REV.	ECN. NO.	APPD.
------	----------	-------

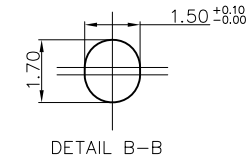
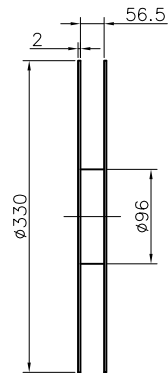
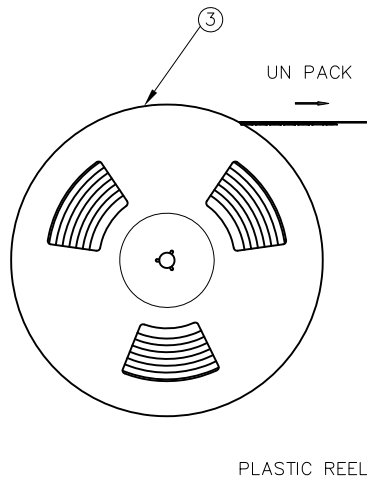


NOTES:
 1.10 PITCHES CUMULATIVES TOLERANCE ON TAPE IS +/-0.20mm;
 2.COVER TAPE PEELING STRENGTH :0.13Kgf MAX. AT 300mm/MINUTE;



3.PACKAGING CAPACITY:

P/N	PCS/REEL	REEL/BOX	PCS/BOX
PJSS0296-MB21H	240	5	1200



③	REEL	POLYSTYRENE
②	COVER TAPE	POLYSTER
①	CARRIER TAPE	POLYSTYRENE
ITEM	DESCRIPTION	MATERIAL

UNITS: mm	GENERAL TOLERANCE	APPROVED: Fan Fang	PART NO.: PJSS0296-MB21H
DATE: 03/09/18	X. ±0.50 X.* ±5*	CHECKED: Darren Lei	TITLE: CUSTOMER DRAWING
SCALE: N/A	.X ±0.30 .X* ±3*	DRAWING: He Pan	DRAWING NO.: 820-0000-0018
SHEET: 3/3	MATERIAL: N/A	QTY N/A	Highstar
REV. D	FINISH: N/A	Drapho ELECTRONICS TECHNOLOGY CO., LTD	