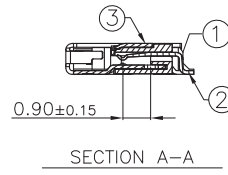
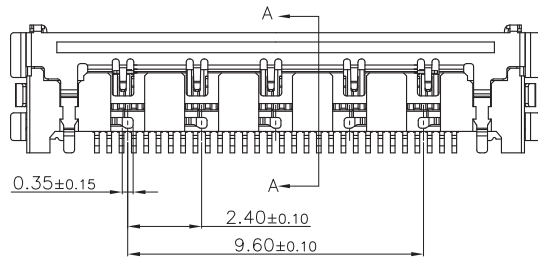
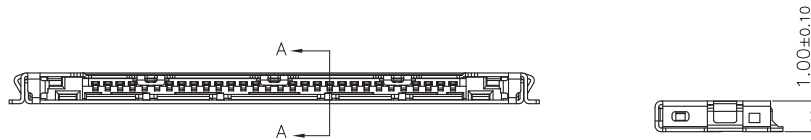
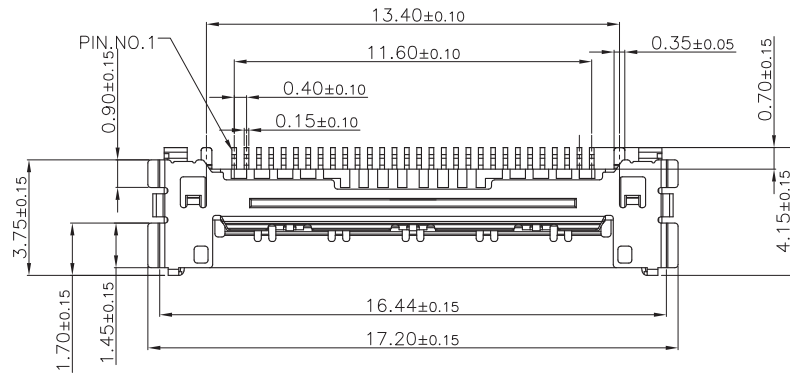
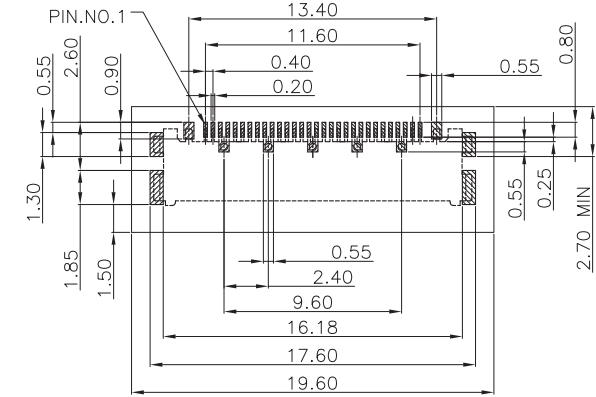


REV.	ECN. NO.	APPD.
A	ECN160930005	Fan Fang



NOTES:  
 1.MATERIAL: SEE TABLE.  
 2.ELECTRICAL PERFORMANCES:  
 2-1LOW LEVEL CONTACT RESISTANCE:70mΩ MAX, INITIAL;  
 90mΩ MAX, FINAL;  
 2-2.INSULATION RESISTANCE: 100 MΩ MIN.;  
 2-3.DIELECTRIC WITHSTANDING VOLTAGE:  
 SUBJECT A VOLTAGE OF AC 250V rms AT 60HZ FOR 1 MINUTE;  
 3.HARMFUL MATERAIL MEET THE DOCUMENT DSQC0042.

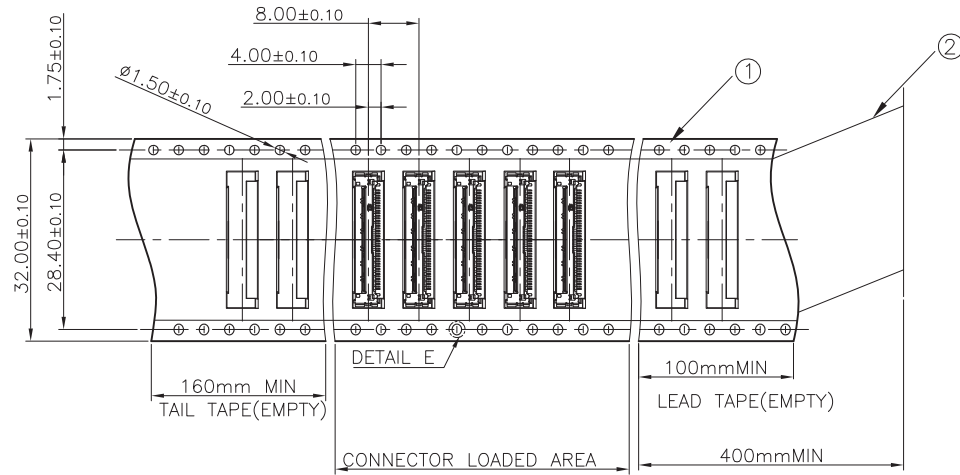


RECOMMENDED PCB LAYOUT  
 TOLERANCE:±0.05

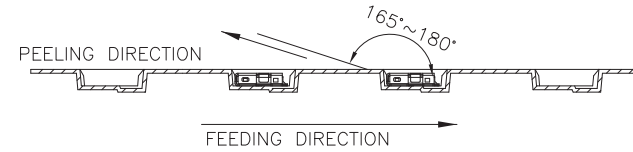
Pitch:4=0.40mm  
 POS.NO.: 30=30POS.  
 WS 4 3 30 1 - S 2 10 1- HF  
 HALOGEN& LEAD FREE  
 PACKAGE CODE: 1=TAPE & REEL  
 PROFILE HEIGHT: 10=1.0mm  
 CONTACT AREA PLATING: 1=5u"MIN. GOLD PLATING



③	1	SHELL	COPPER ALLOY	50u" MIN. NICKEL UNDER PLATING OVERALL; GOLD FLASH ON SOLDER AREA;
②	30	CONTACT	COPPER ALLOY	50u" MIN. NICKEL UNDER PLATING OVERALL; 5u" MIN. GOLD PLATING ON CONTACT AREA; GOLD FLASH ON SOLDER AREA.
①	1	HOUSING	THERMOPLASTIC	UL94V-0, BLACK
ITEM NO.	Q'TY	NAME	MATERAIL	FINISH
UNITS: mm	GENERAL TOLERANCE		APPROVED: Fan Fang	PART NO.: WS43301-S2101-HF
DATE: 10/08/16	X. ±0.30 .X ±0.20 .XX ±0.15 .XXX	X.* ±5* .X* ±3* .XX .XXX	CHECKED: Daniel Yuan	TITLE: CUSTOMER DRAWING
SCALE: N/A			DRAWING: Adam Zhu	DRAWING NO.: 820-0000-0446
SHEET: 1/2	MATERIAL: SEE TABLE	Q'TY N/A	<b>Drapo ELECTRONICS TECHNOLOGY CO., LTD</b>	
REV. A	FINISH: N/A	⊕		

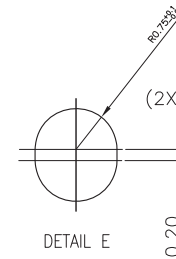
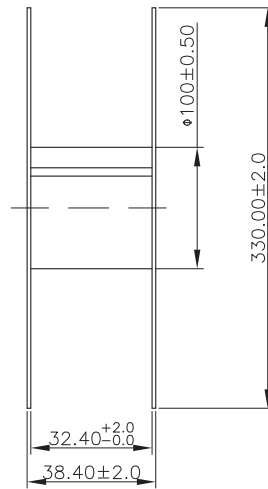
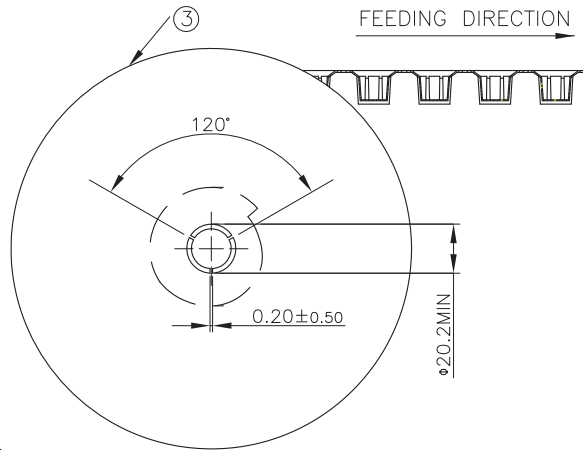


NOTES:  
 1.10 PITCHES CUMULATIVES TOLERANCE ON TAPE IS +/-0.20mm;  
 2.COVER TAPE PEELING STRENGTH :0.13Kgf MAX. AT 300mm/MINUTE;



3.PACKAGING CAPACITY:

P/N	PCS/REEL	REEL/BOX	PCS/BOX
WS43301-S2101-HF	4000	5	20000



RoHS

HF

③	REEL	POLYSTYRENE
②	COVER TAPE	POLYSTER
①	CARRIER TAPE	POLYSTYRENE
ITEM	DESCRIPTION	MATERIAL

UNITS: mm	GENERAL TOLERANCE		APPROVED: Fan Fang	PART NO.: WS43301-S2101-HF
DATE: 10/08/16	X. ±0.30	X.* ±5°	CHECKED: Daniel Yuan	TITLE: CUSTOMER DRAWING
SCALE: N/A	.X ±0.20	.X* ±3°	DRAWING: Adam Zhu	DRAWING NO.: 820-0000-0446
SHEET: 2/2	MATERIAL: N/A	Q'TY N/A	Highstar Drapho ELECTRONICS TECHNOLOGY CO., LTD	
REV. A	FINISH: N/A			